

STRAIGHT SHANK SLIDE ADAPTOR

VARIOUS STYLES AVAILABLE

IMPERIAL SLEEVES

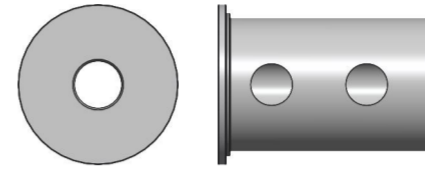
AVAILABILITY	BORE Ø
CH8 - CH12	0.625"
CH8 - CH12	0.75"
CH8 - CH25	1.00"
CH8 - CH25	1.25"
CH8 - CH25	1.50"
CH16 - CH25	1.75"
CH16 - CH25	2.00"
CH16 - CH25	2.25"
CH16 - CH25	2.50"

METRIC SLEEVES

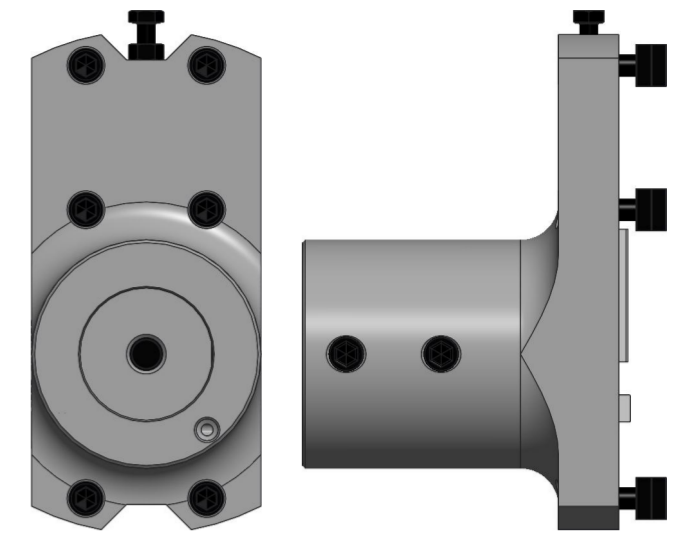
AVAILABILITY	BORE Ø
CH8 - CH12	16mm
CH8 - CH12	20mm
CH8 - CH25	25mm
CH8 - CH25	32mm
CH8 - CH25	40mm
CH16 - CH25	50mm
CH16 - CH25	60mm
CH16 - CH25	63mm



PROPRIETARY STRAIGHT SHANK BORING BAR



STRAIGHT SHANK SLEEVE (RANGE OF SIZES AVAILABLE)

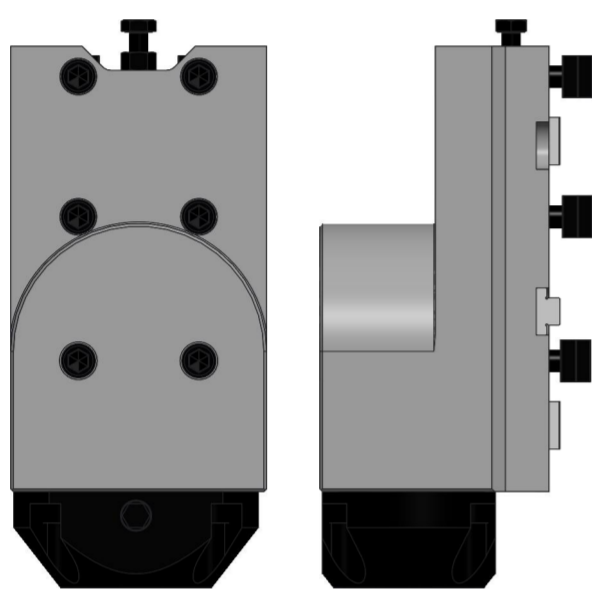


STRAIGHT SHANK SLIDE ADAPTOR

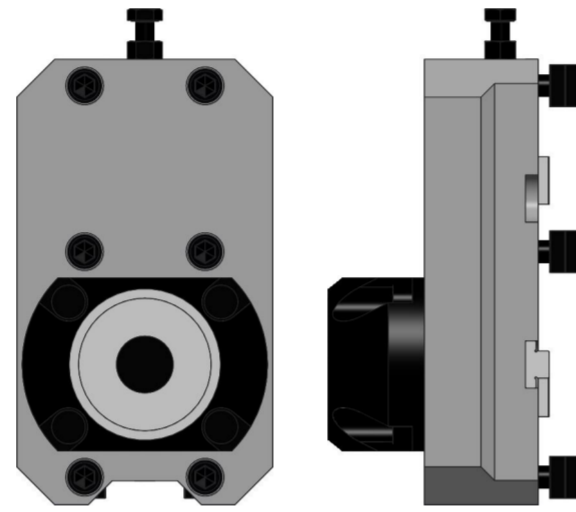
SLIDE EXTENSION & COUNTER BALANCE

CAPTO & KM OPTIONS (THROUGH SPINDLE COOLANT)

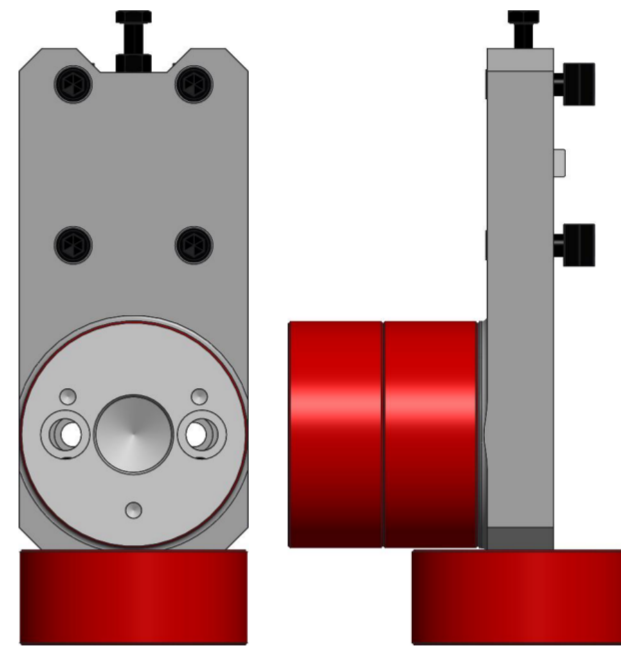
VARIOUS SIZES & STYLES AVAILABLE



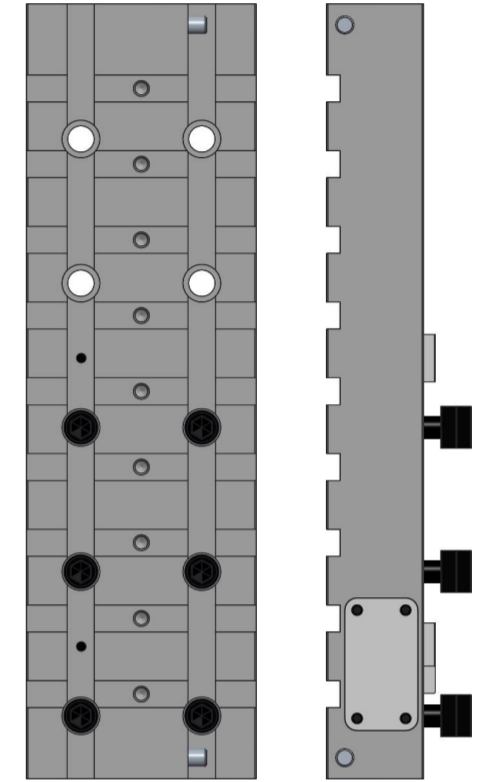
RADIAL SLIDE ADAPTOR



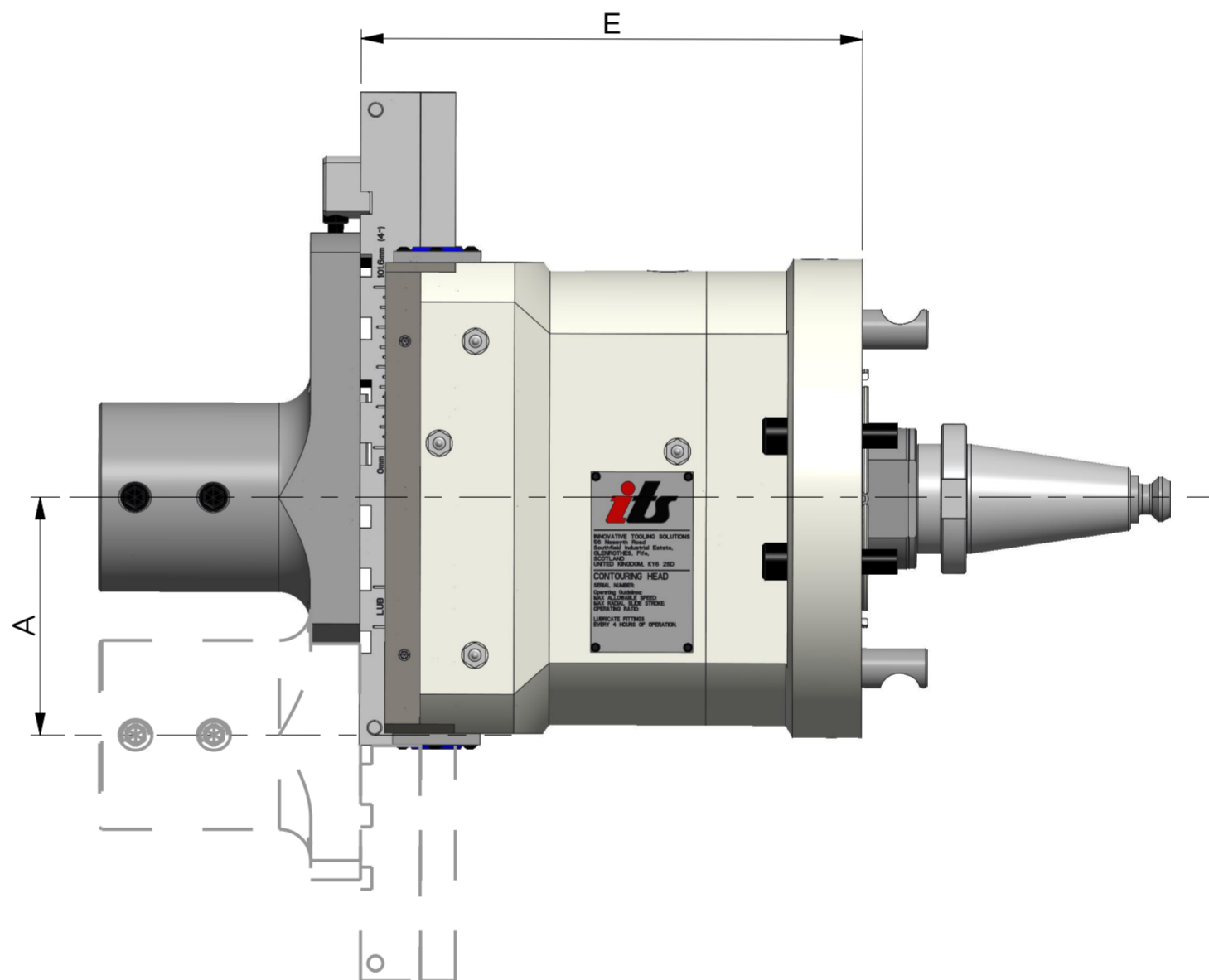
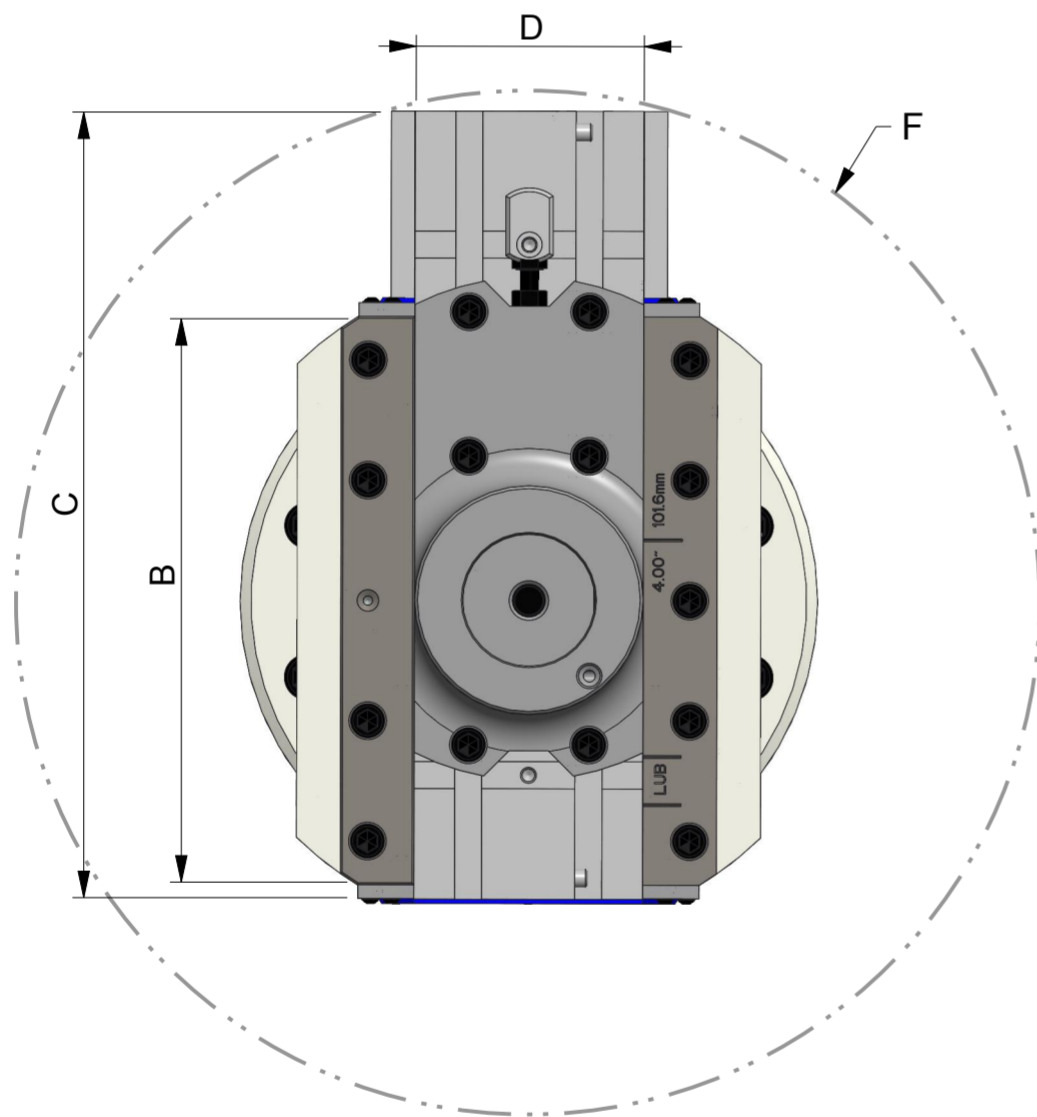
AXIAL SLIDE ADAPTOR



SLIDE MOUNTED BALANCE (ADDITION 4KG BALANCE WEIGHTS AVAILABLE)



SLIDE EXTENSION



ITS CH SERIES SPECIFICATIONS

MODEL NUMBER	A (STROKE)	B	C	D	E	F (MIN BORE SOS)	MAX TOOL LENGTH	MIN TURN/FACE DIA	MAX BORE/FACE DIA	MAX RPM	OPERATING RATIO
CH8	38mm	190mm	203mm	65mm	226mm	204mm	200mm	0mm	400mm	800 RPM	2:1
CH12	76mm	211mm	305mm	79mm	308mm	361mm	200mm	0mm	600mm	500 RPM	1:1
CH16	101mm	300mm	416mm	121mm	320mm	537mm	300mm	0mm	900mm	300 RPM	1:1
CH20	130mm	350mm	508mm	121mm	403mm	656mm	300mm	0mm	1000mm	200 RPM	1:1
CH25	160mm	450mm	635mm	121mm	598mm	810mm	450mm	0mm	1250mm	150 RPM	1:1

ITS CH SERIES OVERVIEW

HEAD SPECS & TOOLING OPTIONS



INNOVATIVE TOOLING SOLUTIONS
 56 NASMYTH ROAD,
 SOUTHFIELD INDUSTRIAL ESTATE,
 GLENROTHES, FIFE, KY6 2SD,
 SCOTLAND, UNITED KINGDOM.
 TEL: +44 (0) 1592 630 952
 EMAIL: sales@itstooling.com
 WEB: www.itstooling.com