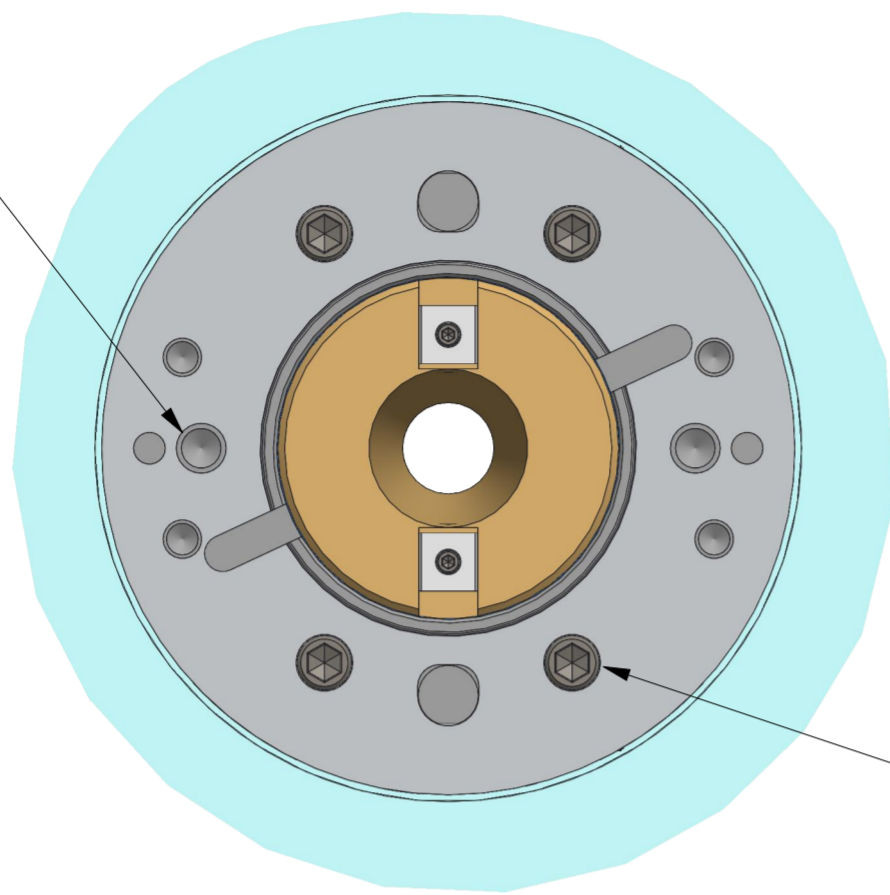
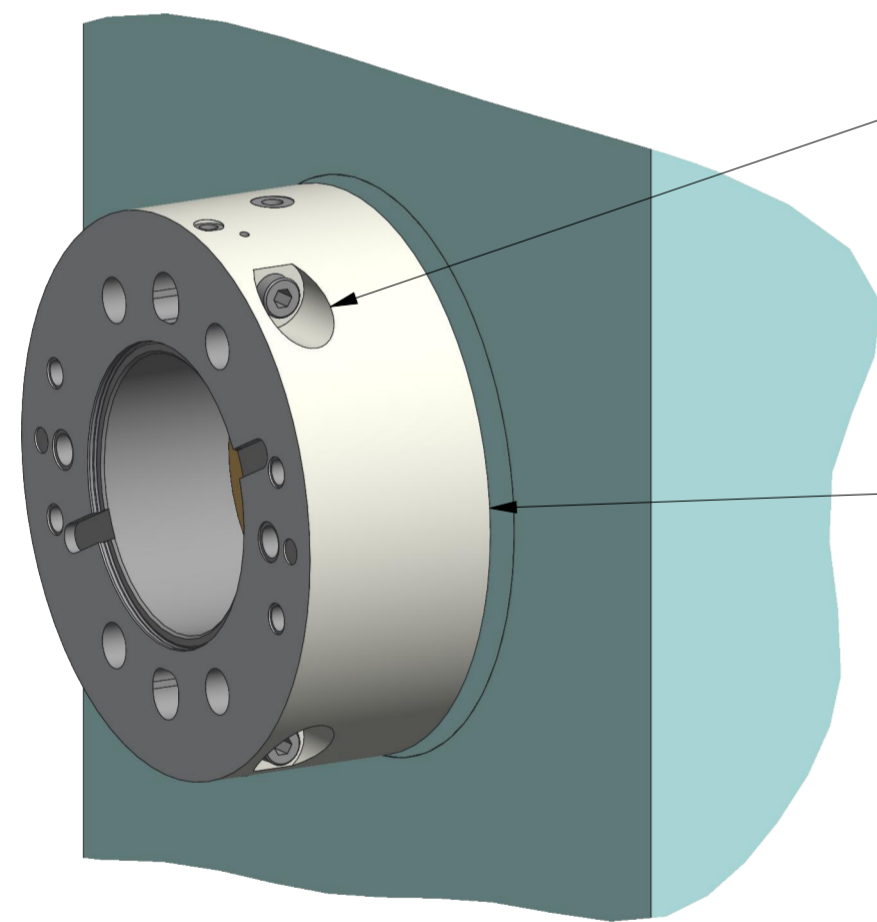
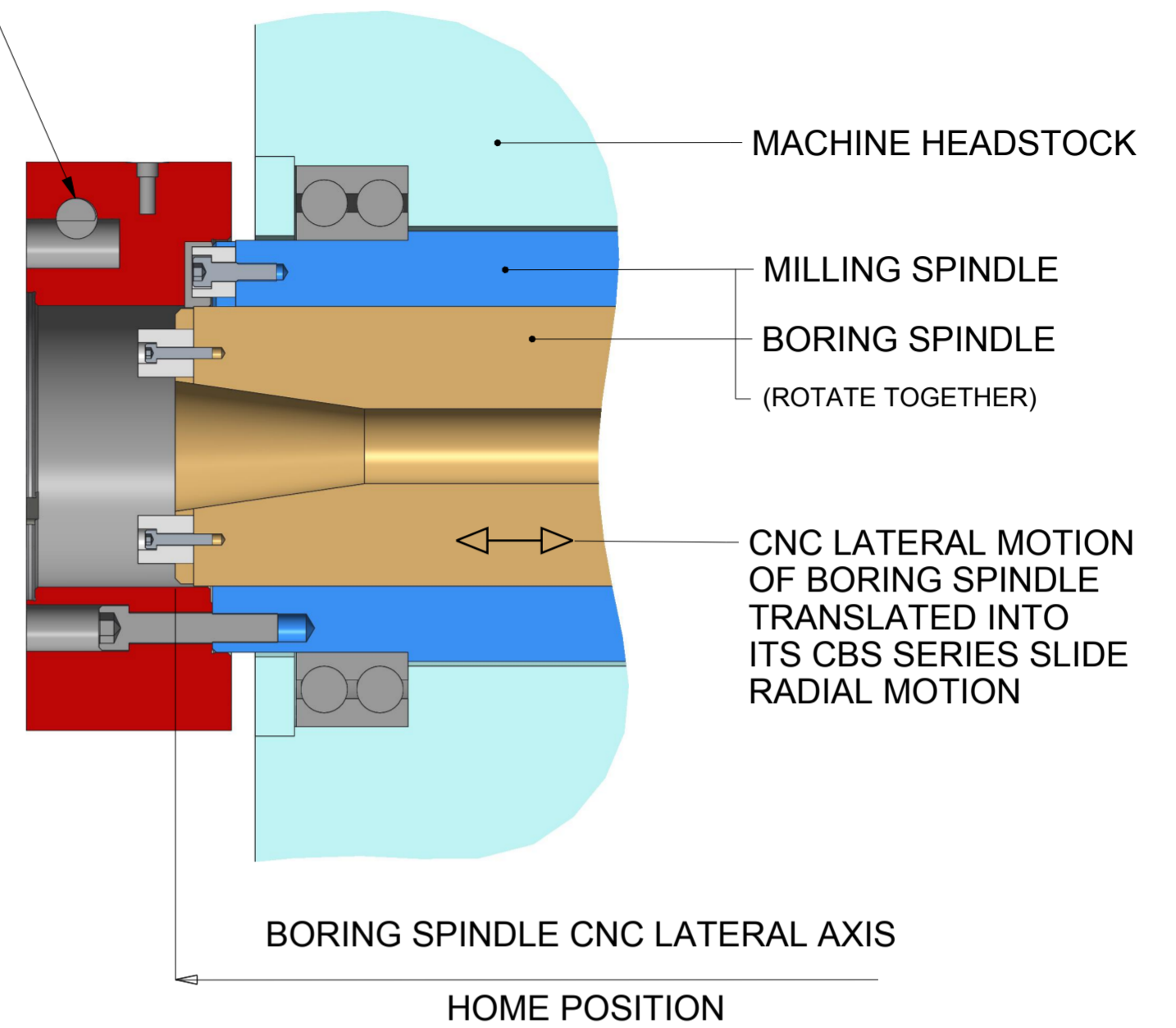


ADDITIONAL SECURITY BOLTS CAN ALSO BE UTILISED FOR NON STANDARD OPERATIONS



THE ITS CBS / CH CONTRACT ASSEMBLIES ARE LOCKED TO THE CAMLOCK MACHINE ADAPTER VIA 2 OFF MANUALLY OPERATED CAM PIN MECHANISMS.

CAMLOCK MACHINE ADAPTER LOCATED & BOLTED (4 OFF) TO MILLING SPINDLE



CAMLOCKING PINS LOCATED ON RIGHT HAND SIDE OF THE ADAPTER FOR OPERATOR ACCESS

CAMLOCK MACHINE ADAPTER

THE CAMLOCK MACHINE ADAPTER IS DESIGNED TO SUIT INDIVIDUAL MACHINE TOOL SPINDLE CONFIGURATIONS, THUS ALLOWING ITS CH / CBS CONTRACT ASSEMBLIES TO BE INTERCHANGED BETWEEN DIFFERENT MACHINES.

OPTIONAL FEATURES (CONTACT ITS FOR MORE INFO):

PROXIMITY SWITCH ACTIVATION - CAN BE PROVIDED VIA TURNED OUTSIDE PROFILE OF THE ADAPTER, BY INTERNAL MECHANICAL DEVICE, BY MULTI POSITION PIN PATTERN OR BY ELECTRONIC CHIP TO ALLOW USE OF MACHINE FITTED PROXIMITY SWITCHES / READERS.

COVER PLATE - MANUAL LOAD / UNLOAD OR TOOL CHANGE LOAD / UNLOAD CAN BE PROVIDED TO PROTECT THE MOUNTING FACE OF THE MACHINE ADAPTER AS WELL AS THE CAMLOCK DETAIL WHILE UTILISING BORING SPINDLE TYPE TOOLING IN CASES WHERE THE CAMLOCK MACHINE ADAPTER IS TO BE LEFT PERMANENTLY MOUNTED.

SPINDLE SUPPORT BUSH - PROVIDES ADDITIONAL BORING SPINDLE SUPPORT WHEN MILLING AT EXTENDED LENGTHS IN CASES WHERE THE CAMLOCK MACHINE ADAPTER IS TO BE LEFT PERMANENTLY MOUNTED

DYNAMIC BALANCING - ALLOWS MACHINE SPINDLE TO RUN TO SPEEDS UP TO 4000 RPM IN CASES WHERE THE CAMLOCK MACHINE ADAPTER IS TO BE LEFT PERMANENTLY MOUNTED

CAMLOCK MACHINE ADAPTER & OPTIONS



INNOVATIVE TOOLING SOLUTIONS

EMAIL: sales@itstooling.com
WEB: www.itstooling.com