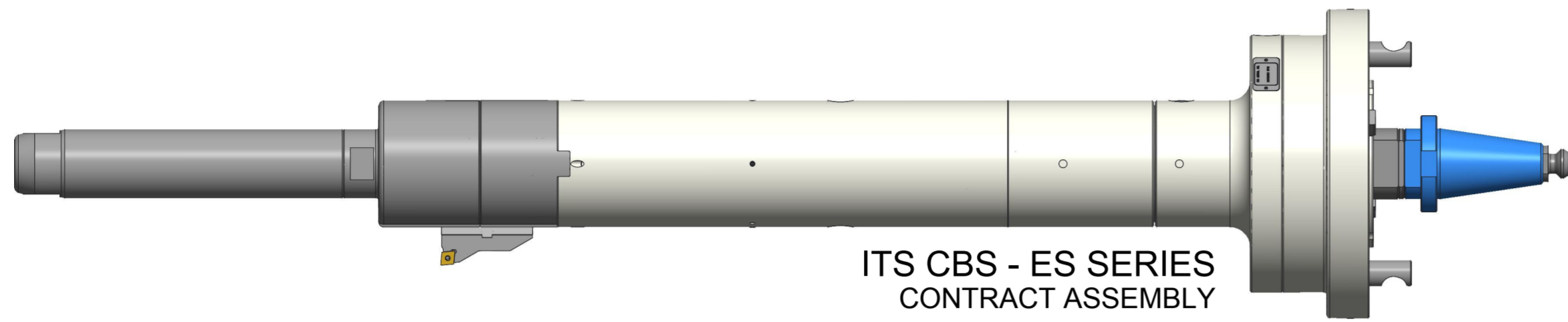


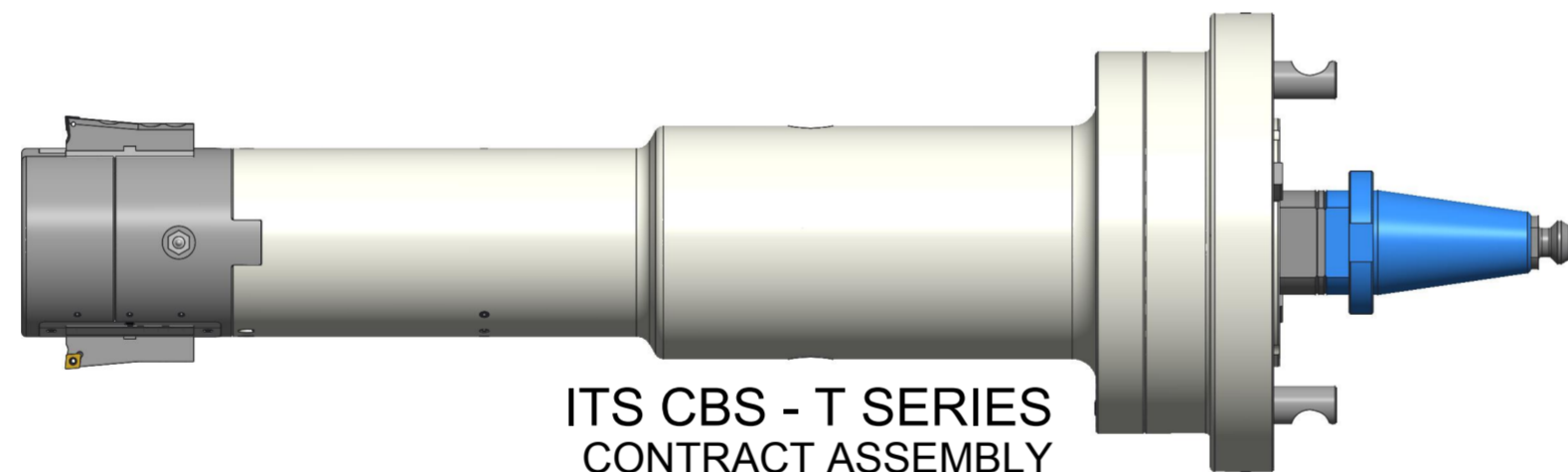
ITS CBS & CH SERIES (CAMLOCK)



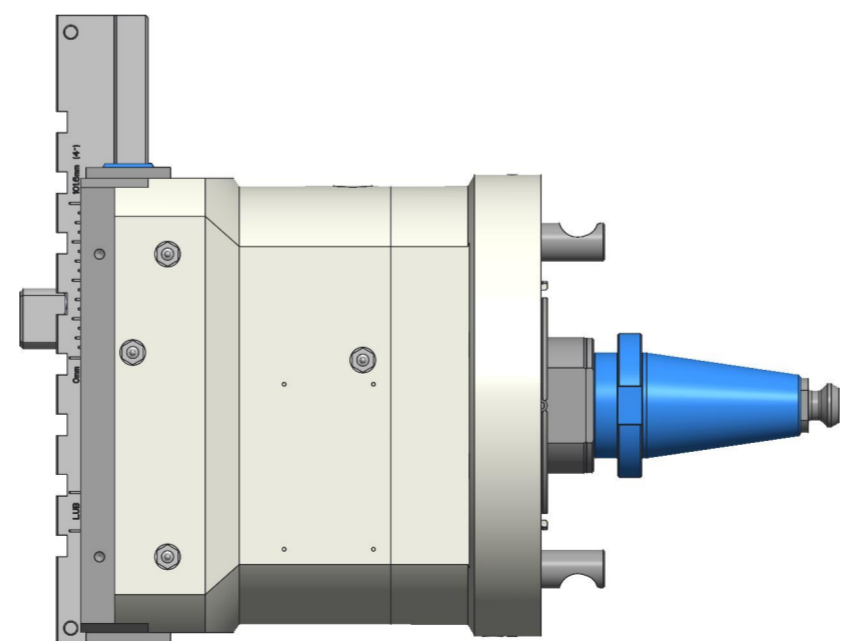
ITS CBS - ES SERIES
CONTRACT ASSEMBLY



ITS CBS - S SERIES
CONTRACT ASSEMBLY



ITS CBS - T SERIES
CONTRACT ASSEMBLY

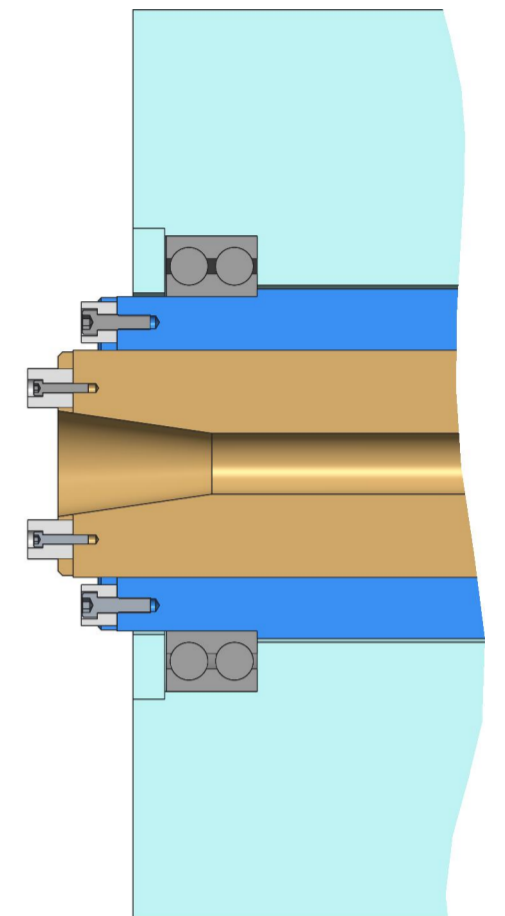


ITS CH SERIES
CONTRACT ASSEMBLY

CAMLOCK
MACHINE
ADAPTOR



MACHINE
HEADSTOCK



MACHINE ADAPTOR STYLE-CAMLOCK:

CAMLOCK MACHINE ADAPTOR BOLTED DIRECTLY TO MACHINE TOOL MILLING SLEEVE.

ITS CBS & CH CONTRACT ASSY IS LOCKED INTO CAMLOCK MACHINE ADAPTOR VIA 2 OFF MANUALLY OPERATED CAM PIN MECHANISMS. ADDITIONAL SECURITY BOLT SYSTEM CAN ALSO BE UTILISED AS REQUIRED

CAMLOCK MACHINE ADAPTOR IS DESIGNED TO SUIT INDIVIDUAL MACHINE SPINDLE CONFIGURATIONS, THUS ALLOWING ITS CBS & CH CONTRACT ASSY TO BE INTERCHANGED BETWEEN DIFFERENT MACHINE TOOLS.

THE CAMLOCK MACHINE ADAPTOR CAN BE LEFT PERMANENTLY BOLTED TO MACHINE AND AN OPTIONAL CAMLOCK COVER PLATE IS AVAILABLE TO PROTECT THE JOIN FACE IN THIS CIRCUMSTANCE. CARE MUST BE TAKEN TO ENSURE THAT ANY MAGAZINE TOOLCHANGE ARM CLEARS THE CAMLOCK ADAPTOR.

PROXIMITY SWITCH ACTIVATION CAN BE PROVIDED VIA THE CAMLOCK MACHINE ADAPTOR TO SUIT SPECIFIC MACHINE CONFIGURATIONS



**INNOVATIVE
TOOLING
SOLUTIONS**

EMAIL: sales@itstooling.com
WEB: www.itstooling.com